



# DIAMOND FIREGLASS

www.diamondfireglass.com



*Stainless Steel Pan Burners*  
**DECORATIVE VENTED GLASS BURNER**  
*General Assembly, Installation and Operation Instructions*



**ATTENTION! READ INSTRUCTIONS CAREFULLY BEFORE ASSEMBLY OR USE**

### Tools Needed

Adjustable Wrench, Pipe Wrench, Pipe Sealing Compound and hand held lighter

### Burner Systems:

**SS-O22 (22" Stainless Steel Oval Pan Burner)**  
**SS-R22 (22" Stainless Steel Rectanglator Pan Burner)**  
**All Burners for Natural Gas Only with Conversion Kit**

### WARNING

This is a vented gas appliance for use only in a solid-fuel burning fireplace constructed on non-combustible material with a fully functional chimney flue which must vent all products of combustion. **When operating, the chimney DAMPER MUST BE FULLY OPEN**

**WARNING:** If the information in this manual is not followed exactly, a fire or explosion may result causing property damage, personal injury or loss of life.

— Do not store or use gasoline or other flammable vapors and liquids in the vicinity of this or any other appliance.

#### **WHAT TO DO IF YOU SMELL GAS**

- Do not try to light any appliance.
- Do not touch any electrical switch; do not use any phone in your building.
- Immediately call your gas supplier from a neighbor's phone. Follow the gas supplier's instructions.
- If you cannot reach your gas supplier, call the fire department.

— Installation and service must be performed by a qualified installer, service agency or the gas supplier.

**INSTALLER:** Leave this manual with the appliance.

**CONSUMER:** Retain this manual for future reference.

**Improper installation, alteration, service or maintenance can cause property damage, personal injury or loss of life. Read these instructions thoroughly before installation. For assistance or additional information, consult your gas log dealer, qualified installer, service agency or gas supplier.**

Installation must conform with local codes or, in the absence of local codes, with the National Fuel Gas Code, ANSI Z223. 1/ Latest Edition

**NATIONAL  
FIREPLACE  
INSTITUTE**



**CERTIFIED**

www.nficertified.org

We recommend that our products be installed and serviced by professionals who are certified in the U.S. by the National Fireplace Institute® (NFI) as NFI Specialists or who are certified in Canada by Wood Energy Technical Training (WETT).



### **IMPORTANT INFORMATION**

- **Due to high temperatures**, the appliance should be located out of traffic and away from furniture and draperies.
- **Children and adults** should be alerted to the hazard of high surface temperatures and should stay away to avoid burns or clothing ignition.
- **Young children** should be carefully supervised when they are in the same room with the appliance.
- **Do not place** clothing or other flammable material on or near the appliance.
- **Any safety screen** or guard removed for servicing an appliance must be replaced prior to operating the appliance.
- **Installation and repair** should be done by a qualified service person. The appliance should be inspected before use and at least annually by a professional service person. More frequent cleaning may be required due to excessive lint from carpeting, bedding material etc. It is imperative that control compartments, burners and circulating air passageways of the appliance be kept clean.
- **WARNING:** Any change to this appliance or its controls can be dangerous.
- **WARNING:** Failure to keep the primary air opening(s) of the burner clean may result in sooting and property damage.
- **Keep appliance area** clear and free from combustible materials, gasoline and other flammable vapors and liquids.
- **DO NOT** use this room appliance if any part has been under water. Immediately call a qualified service technician to inspect the appliance and to replace any part of the control system and any gas control that has been under water.
- **WARNING:** Before installing in a solid-fuel burning fireplace, the chimney flue and firebox must be cleaned of soot, creosote, ashes and loose paint by a qualified chimney cleaner.
- **WARNING:** Do not allow fans to blow directly into the fireplace. Avoid any drafts that alter burner flame patterns.
- **WARNING:** Do not use a blower insert, heat exchanger insert or any other accessory not approved for use with this heater.
- **A fireplace screen** must be in place when the appliance is operating and, unless other provisions for combustion air are provided, the screen shall have an opening(s) for introduction of combustion air.
- **Solid fuels** shall not be burned in a fireplace where this appliance is installed.
- **WARNING:** Glass doors must be fully opened when appliance is in operation to allow for safe combustion, cooling of components and venting.
- **Any outside air ducts** and/or ash dumps in the fireplace shall be permanently closed at the time of appliance installation.
- **Avoid contact** with the objects, chassis or another part which may be hot during operation.
- This appliance is only for use with the type of gas indicated on the box. **This appliance is not convertible for use with other gases.**
- **BE CAREFUL** if not installed, serviced and used correctly per these instructions, this product can cause serious personal injury, property damage or lost of life.

### **CARBON MONOXIDE POISONING MAY LEAD TO DEATH**

When used without fresh air, decorative gas appliances may give off carbon monoxide, an odorless, colorless, poisonous gas. Some people, pregnant women, persons with heart or lung disease, anemia, persons under the influence of alcohol and persons who live at high altitudes are more affected by carbon monoxide than others.

Early signs of carbon monoxide poisoning resemble the flu and include; headache, dizziness and/or nausea. If you have these symptoms, the burner or the appliance may not be installed or working properly, or the flue may be blocked. **GET FRESH AIR AT ONCE!** Verify that the H-Burner is properly arranged and have the heater and chimney flue serviced before using again.

### **WARNING—Proposition 65 Statement**

If not installed, operated and maintained in accordance with these instructions, this product could expose you to substances in fuel or from fuel combustion which are known to the State of California to cause cancer, birth defects or other reproductive harm.

## IMPORTANT INFORMATION

THIS PAN BURNER MUST BE INSTALLED IN A FULLY VENTED SOLID-FUEL BURNING FIREPLACE WITH A WORKING FLUE CONSTRUCTED OF NON COMBUSTIBLE MATERIAL.

DAMPER MUST BE WIDE OPEN WHILE BURNING OPEN A WINDOW AN INCH OR TWO FOR FRESH AIR WHEN USING YOUR PAN BURNER SOLID FUELS SHALL NOT BE BURNED IN A FIREPLACE WHERE A DECORATIVE APPLIANCE IS INTALLED.

## GENERAL PARTS LIST FOR NATURAL AND PROPANE GAS

- 1.) 22" Oval Pan Burner 1A.) 22" Rectanglator Pan Burner 2.) Damper Clamp  
3.) 1/2" Flared x 1/2" FIP 4.) Elbow 1/2" Flared x 1/2" FIP 5.) 1/2" x 12" Flex Connector 6.) Air Mixer  
7.) 90° Black Elbow Pipe Fitting



## IMPORTANT INFORMATION (continued)

A fire place screen must be in place when the Pan Burner is in operation and, unless other provisions for combustion air are provided, the screen shall have opening(s) for introduction of combustion air.

The minimum inlet gas supply pressure for the purpose of input adjustment shall be 6 inches of water column on natural gas. The maximum inlet gas supply pressure shall be 7 inches of water column on natural gas .

The installation and the provision for combustion and ventilation air must conform with the NATIONAL FUEL GAS CODE ANSI Z223.1 latest edition.

The Pan Burner and its individual shutoff valve must be disconnected from the gas supply piping system during any pressure testing of that system at test pressures in excess of 1/2 psig (3.5 kPa). The Pan Burner must be isolated from the gas supply piping system by closing its individual manual shutoff valve during any pressure testing of the gas supply piping system at test pressures equal to or less than 1/2 psig (3.5 kPa).

The area around the Pan Burner must be clear and free from combustible materials, gasoline and any other flammable vapors and liquids.

Do not use this appliance if any part has been under water. Immediately call a qualified service technician to inspect the appliance and to replace any part of the control system and any gas control which has been under water.

**Important: Use with other manufacture parts, controls, remotes, parts and accessories which are not design, tested with Diamond Fireglass products is prohibited and will void all warranties. Liability for bodily injures or property damage will not be accepted by Diamond Fireglass if installation and / or product usage does not comply with this Pan Burner.**

## WARNING! CHECK FOR PROPER VENTING

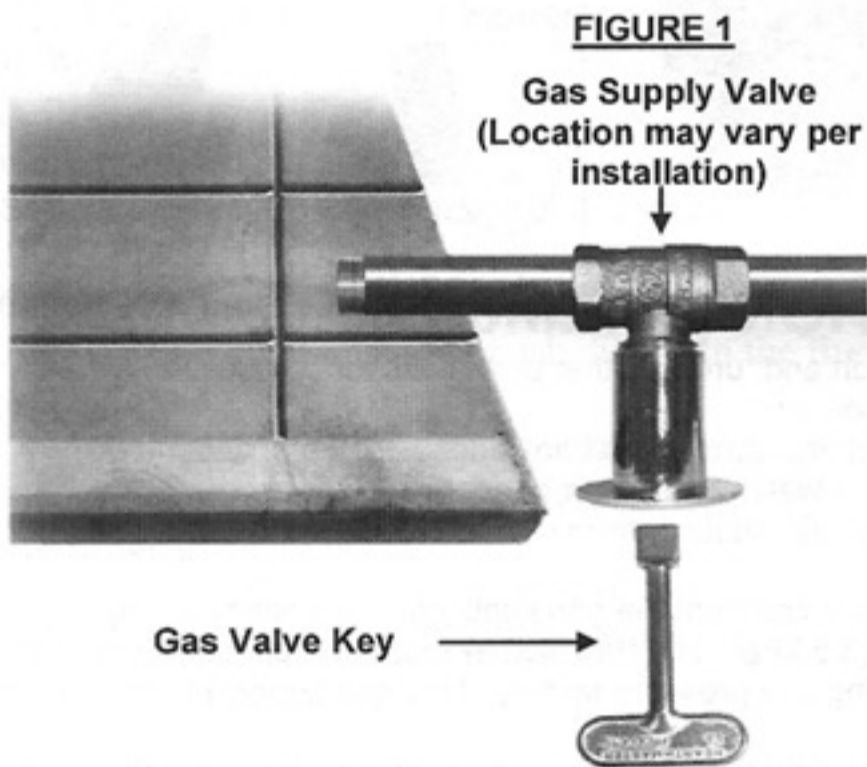
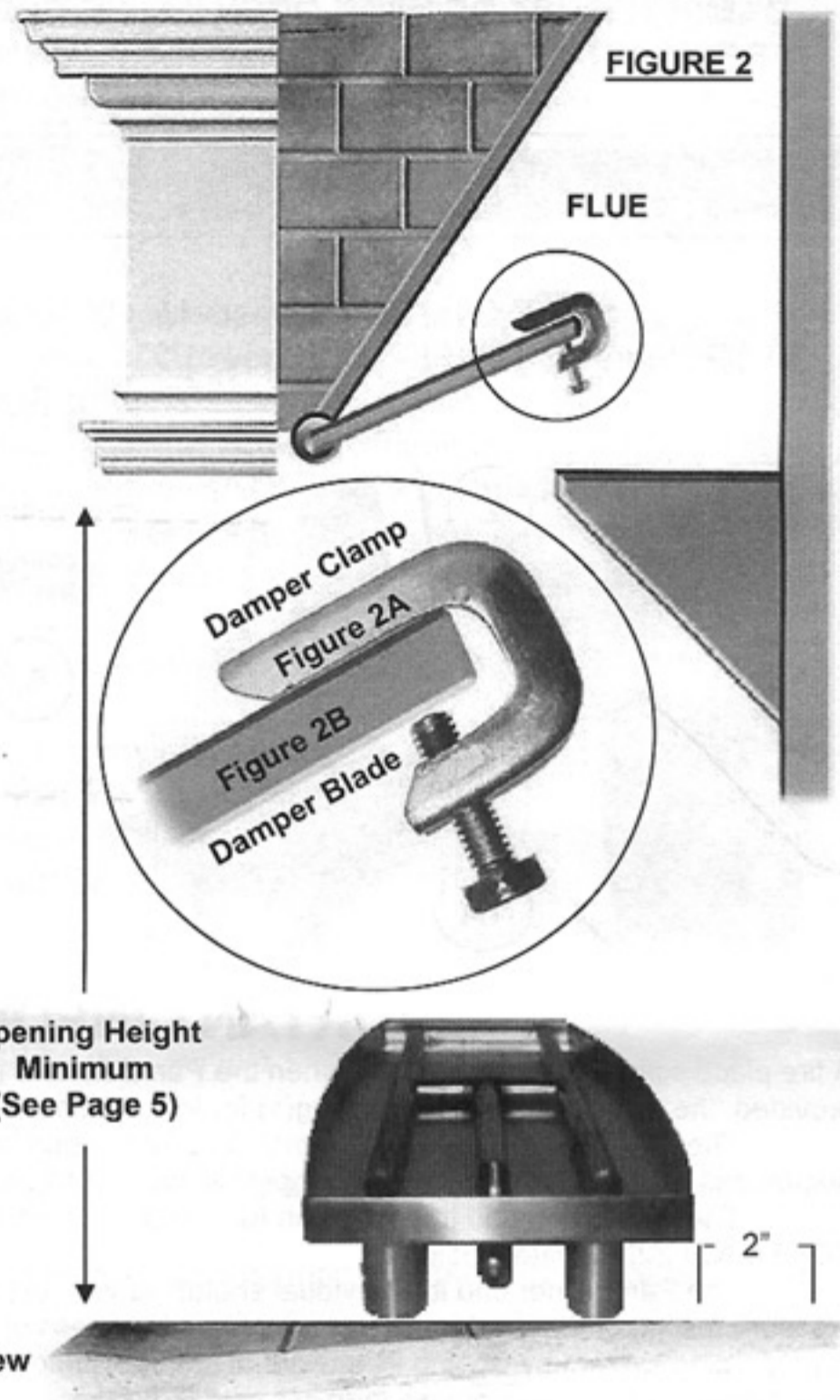
A properly sized, unobstructed chimney will normally vent all fumes and products of combustion. Any odor or smoke detected inside the room is an indication that the flue is not properly removing the combustion products. **SHUT OFF THE BURNER IMMEDIATELY! THE CAUSE OF THE VENTING PROBLEM MUST BE DISCOVERED AND CORRECTED BEFORE CONTINUED USE OF THE PAN BURNER.** Continued use with improper venting may cause damage to your fireplace, room and furnishings and could cause serious illness. If improper venting is suspected, **IMMEDIATELY HAVE PAN BURNER AND CHIMNEY FLUE SERVICED.** Periodically examine and clean the venting system. Once a year, a qualified agency should examine and clean the venting system of your solid fuel burning fireplace.

## GENERAL INSTALLATION INSTRUCTIONS

**WARNING:** Failure to position the parts in accordance with these diagrams or failure to use only parts specifically approved with this appliance may result in property damage or personal injury.

### STEP ONE PREPARATION:

1. Verify that the Pan Burner is correctly matched.
2. Turn off **Fireplace Gas Supply** (Figure 1A).
3. Thoroughly clean fireplace floor of any ashes and have a qualified chimney cleaner insure that the chimney flue and firebox are free of soot, creosote, and loose paint.
4. Attach **Damper Clamp** (Figure 2A) over edge of fireplace **Damper Blade** (Figure 2B) to prevent damper from fully closing accidentally. If unable to attach damper clamp, drill a hole (or holes) in the damper or remove it completely.



### Pan Burner Positioning In Fireplace (side view)

1. Place **PAN BURNER** inside firebox as far as 2" (see figure 2) from the rear wall. Center the **PAN BURNER** left to right.
2. Be sure the **FLEX CONNECTOR** is not positioned over the **PAN BURNER** or exposed to direct flame.

### IMPORTANT:

**THE CHIMNEY DAMPER MUST BE WIDE OPEN AND FIXED IN A MANNER TO MAINTAIN A PERMANENT FREE OPENING AT ALL TIMES AS OUTLINED ABOVE. THE AREA OF THE FLUE MUST BE NOT LESS THAN 1/10 THE AREA OF THE FIREPLACE OPENING. THIS PAN BURNER MUST BE INSTALLED IN A FULLY VENTED METAL OR MASONRY FIREPLACE WITH A WORKING FLUE THAT IS SAFE FOR BURNING A WOOD FIRE. THE FLUE MUST BE FREE OF ANY OBSTRUCTIONS AND MUST EXHAUST ALL PRODUCTS OF COMBUSTION. DAMPER MUST BE FULLY OPEN BEFORE LIGHTING OR BURNING FOR PROPER VENTILATION.**

# PAN BURNER ASSEMBLY INSTRUCTIONS

## Required Tools and Materials

Adjustable Wrench, Pipe Wrench, Pipe Sealing Compound

Note: Fittings do not come pre-wrapped with Teflon threaded tape, pipe compound must be applied to the non-flared threads.

## **BURNER ASSEMBLY INSTRUCTIONS FOR NATURAL GAS**

**Step 1.** Apply Teflon tape or pipe compound to Pan Burner input fitting. **(A)**

**Step 2.** Thread the fitting 1/2" Flared x 1/2" FIP **(B)** onto the Pan Burner input fitting and wrench tighten. Position fitting towards 1/2" pipe inlet from installation.

**Step 3.** Connect the stainless Steel gas flex line **(C)** to the Burner.

**(No tape is needed on Flared fittings).**

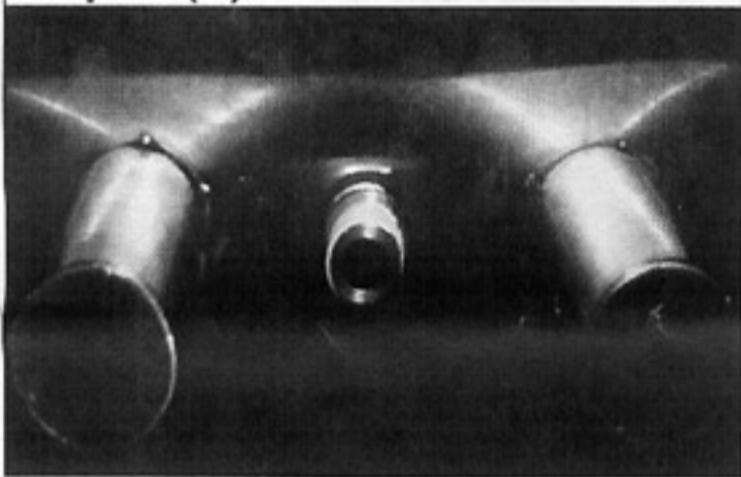
**Step 4.** Apply Teflon tape or pipe compound to inlet pipe. **(D)**

**Step 5.** Thread the fitting **(E)** 1/2" Flared x 1/2" FIP onto inlet pipe and wrench tighten.

**Step 6.** Connect the stainless steel flex line **(F)** to the 1/2" pipe.

**Note:** Make sure you use two wrenches when installing fittings and flex line.

**Step 1. (A)**



### Parts needed:

(1) Pan Burner

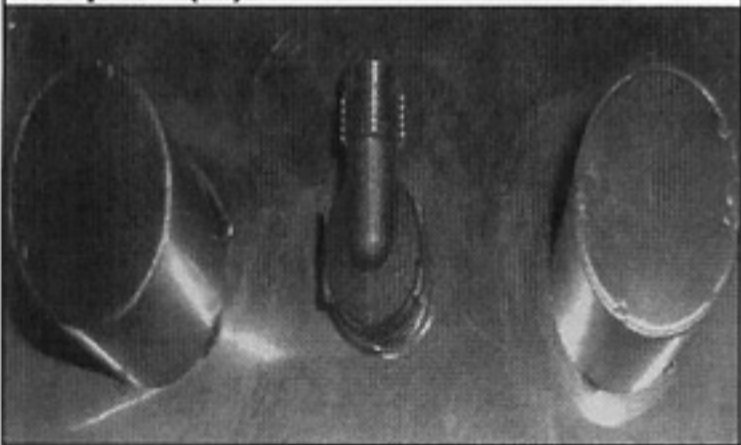
(2) Elbow 1/2" flare x 1/2" FIP

(1) Stainless Steel flex tube

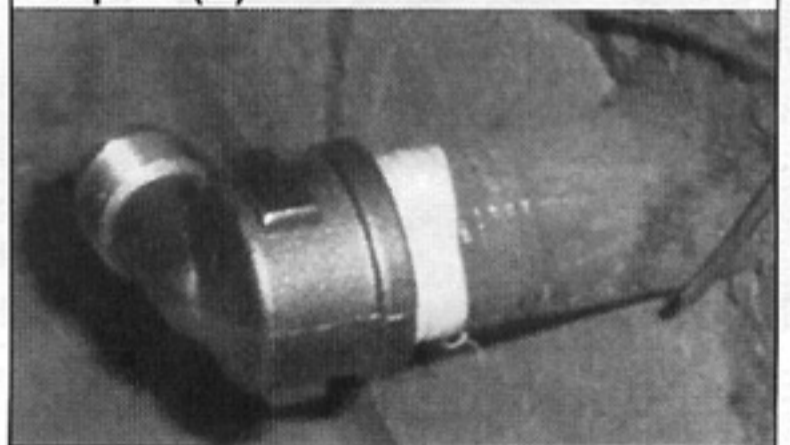
**Step 4. (D)**



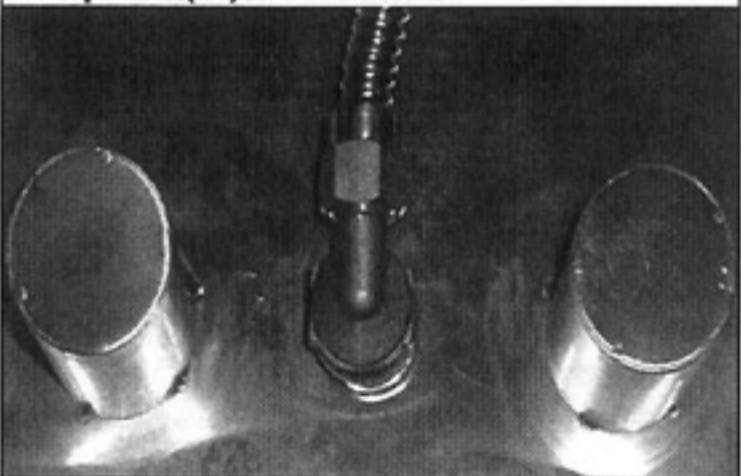
**Step 2. (B)**



**Step 5. (E)**



**Step 3. (C)**



**Step 6. (F)**



# PAN BURNER ASSEMBLY INSTRUCTIONS

## Required Tools and Materials

Adjustable Wrench, Pipe Wrench, Pipe Sealing Compound

Note: Fittings do not come pre-wrapped with Teflon threaded tape, pipe compound must be applied to the non-flared threads.

## **BURNER ASSEMBLY INSTRUCTIONS FOR PROPANE GAS**

**Step 1.** Apply Teflon tape or pipe compound to Pan Burner input fitting. **(A)** **Step 2.** Thread the 90° 1/2" black elbow pipe **(B)** onto the Pan Burner and wrench tighten. **Step 3.** Thread the air mixer **(C)** onto 1/2" black elbow pipe fitting (put short side of the air mixer into the 1/2" black elbow pipe fitting).

**Step 4.** Thread the 1/2" Flared x 1/2" FIP **(D)** onto the air mixer and wrench tighten. **Step 5.** Connect the stainless Steel gas flex line **(E)** to the 1/2" Flared x 1/2" FIP and wrench tighten. **(No tape is needed on Flared fittings).** **Step 6.** Apply Teflon tape or pipe compound to 1/2" pipe **(F)** at installation.

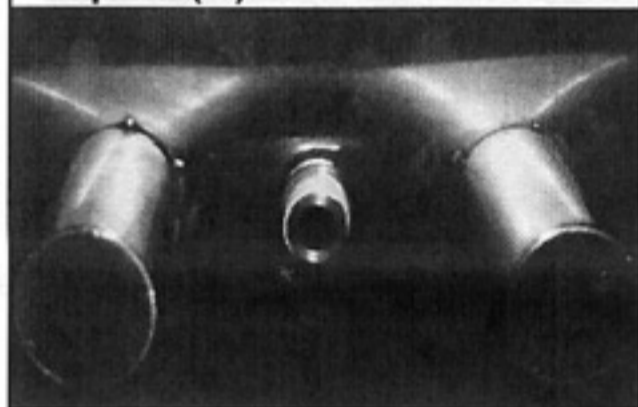
**Step 7.** Thread the fitting 1/2" Flared x 1/2" FIP onto 1/2" **(G)** inlet pipe and wrench tighten.

**Step 8.** Connect stainless steel flex line **(H)** onto fitting 1/2" Flared x 1/2" FIP and wrenches tighten.

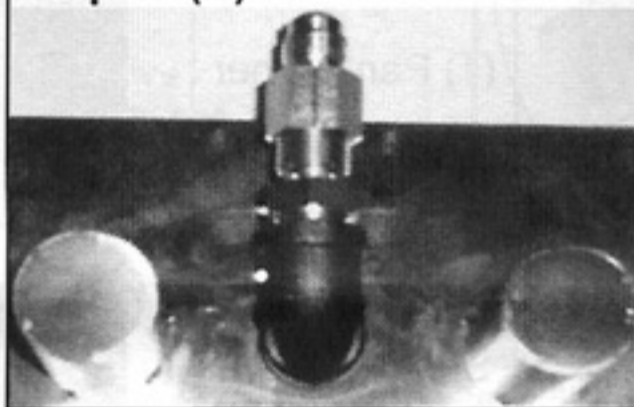
**WARNING: Safety pilot kit is required on LP installations.**

Note: Make sure you use two wrenches when installing stainless steel flex line. Caution: The main burner orifices should be drilled out to no less than 1/8" if they are not already. This will prevent any back pressure to the air mixer. If necessary you may adjust air mixer.

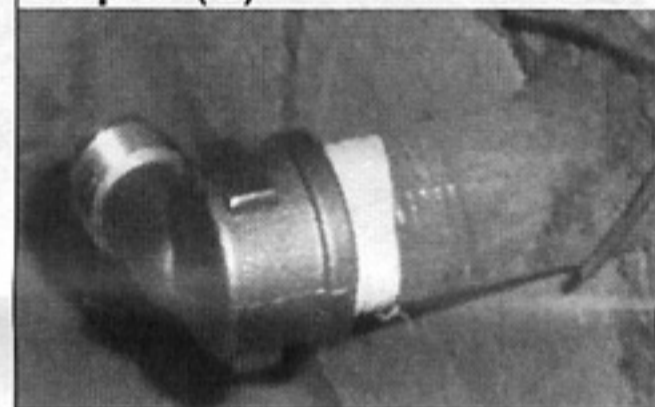
Step 1. (A)



Step 4. (D)



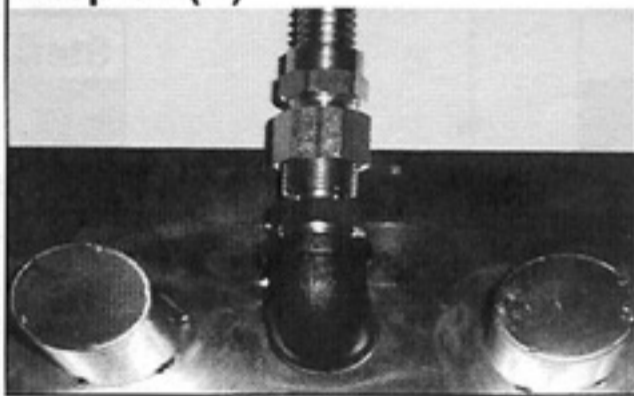
Step 7. (G)



Step 2. (B)



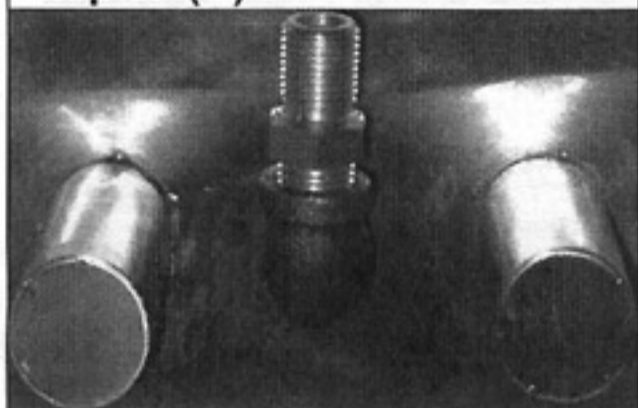
Step 5. (E)



Step 8. (H)



Step 3. (C)



Step 6. (F)



### Parts Needed:

- (1) Pan Burner
- (1) Damper Clamp
- (1) 90° Black Elbow Pipe Fitting
- (1) Air Mixer
- (1) Elbow 1/2" Flared x 1/2" FIP
- (1) 1/2" Flared x 1/2" FIP
- (1) 1/2" x 12" Flex Connector

The air mixer is to be drilled out to match the BTU's output of the safety pilot kit. **Gas orifice capacity LP gas 11" W.C. 90,000btu #33 drill bit; 150,000btu #26 drill bit; 270,000btu #9 drill bit; 300,000btu #4.**

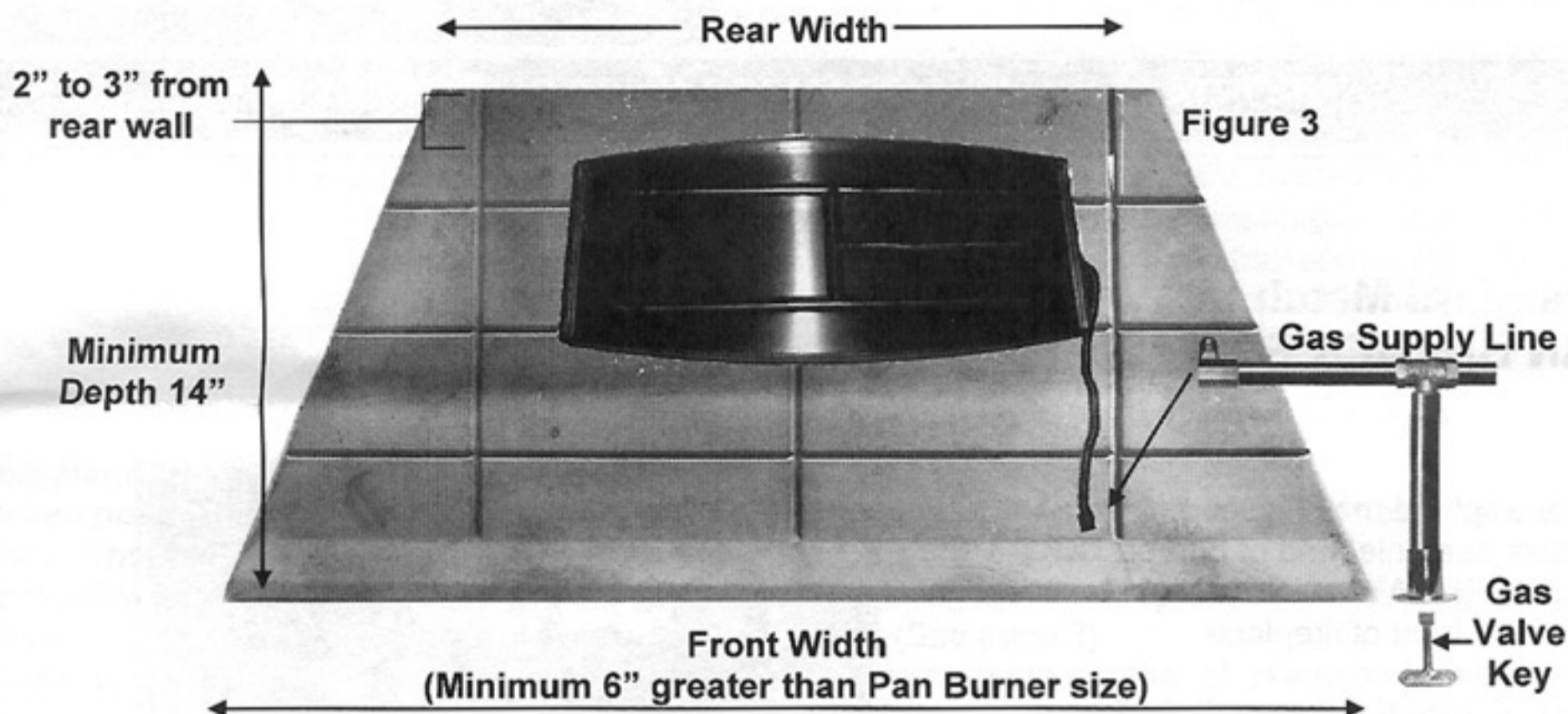
# GENERAL PAN BURNER ASSEMBLY INSTRUCTIONS

ATTENTION...READ THESE INSTRUCTIONS CAREFULLY BEFORE ASSEMBLY

## PAN BURNER SERIES TECHNICAL DATA TABLE

### INSTALLATION AND GAS SUPPLY CONNECTION

"PAN" BURNER SIZE	FIREBOX FRONT WIDTH	FIREBOX REAR WIDTH	FIREBOX DEPTH	FIREBOX HEIGHT	CHIMNEY DIAMETER	MIN. PERMANENT CHIMNEY OPENING	BTU MIN. 6 W.C.	BTU MAX 7 W.C.
22"	28"	22"	14"	16"	7"	39 Sq"	135,000	155,000



### Pan Burner Positioning In Fireplace (Top View)

1. Place **PAN BURNER** inside firebox as far as 2" to 3" (see figure 3) from the rear wall. Center the **PAN BURNER** left to right.
- 2.) Be sure the **FLEX CONNECTOR** is not positioned away from the **PAN BURNER** or exposed to direct flame.

### GAS SUPPLY CONNECTION

- 1.) Position Pan Burner inside firebox (see figure 3), connect aluminum flex connector to the inlet of burner and to the elbow 1/2" Flared x 1/2" FIP on gas supply pipe and wrench tighten. **Note: Do not kink or break aluminum flex connector tube.** 2.) Turn gas supply to fireplace on. 3.) Test all connections for leaks with soapy water solution. If solution bubbles, turn off gas supply, retighten fitting and recheck. If leaks are found, turn off gas immediately and leave off for 5 minutes.

**WARNING: DO NOT FLAME TEST FOR LEAKS**

## INSTALLTION INSTRUCTIONS LIGHTING AND OPERATION OF PAN BURNER

### FILLING PAN BURNER WITH GLASS

- 1.) Begin by completely covering **BURNER TUBES** (See **figure 4**) with glass first.
- 2.) Focus first on covering the entire **BURNER TUBES** before spreading evenly in the Pan Burner.
- 3.) Use the entire bag of glass that is provided with the burner.
- 4.) Spread the remaining glass evenly on the Pan Burner without exposing **BURNER TUBES**.



Figure 4

**IMPORTANT: CHIMNEY DAMPER MUST BE WIDE OPEN**

### MANUAL MATCH LIGHTING

#### • Standard Match Lit (PAN BURNER FOR NATURAL GAS ONLY)

1. Place lighted match (See **Figure 5**) on glass near inlet end of burner. **DO NOT HOLD MATCH IN HAND!** Move away from front of fireplace.
2. Slowly open **FIREPLACE GAS SUPPLY VALVE** and wait for burner to light.
3. Adjust **FIREPLACE GAS SUPPLY VALVE** for desired flame height.



Figure 5

**WARNING: DO NOT ALLOW FLAMES FROM PAN BURNER EXCEED THE HEIGHT OF THE FIREPLACE OPENING.**

4. **SHUTDOWN:** Close **FIREPLACE GAS SUPPLY VALVE** completely.

**WARNING: DO NOT LEAVE BURNER UNATTENDED, WHILE PAN BURNER IS BURNING.**

**Note:** Check lighting instructions on your safety pilot kit for propane gas.

**WARNING: DO NOT FLAME TEST FOR LEAKS**



## NORMAL OPERATING CHARACTERISTICS

A yellow bodied wood like flame that will produce carbon soot. The carbon soot produced is natural and adds to the realistic appearance of the Pan Burner. If the carbon becomes excessive, operate the burner for ten minutes to heat the glass, and then spray the sooty area with water. The dislodges the soot, which is carried up the chimney by the natural draft.

## CUSTOMER RESPONSIBILITIES AND PERIODIC MAINTENANCE

- Do not use with blower inserts or heat exchangers.
- Do not operate this burner with any burner object other than the Diamond Fireglass specifically designed and approved by Diamond Fireglass with these burner systems.
- **WARNING: Do not allow fans to blow directly into fireplace. Avoid any drafts that alter burner flame patterns.** Do not place blower inside area of firebox. Ceiling fans may create draft that alters flame patterns. Sooting and improper burning may occur. Sooting can settle on surfaces outside the fireplace. Maintain position of glass on burner at all times.

## Fireplace Safety Guidelines

- A. Check Gas Type (Natural Gas Only). The gas supply must be the same as state on page 1. If gas is different, do not install. Contact your dealer for immediate assistance.
- A. The gas pipe system must be sized to provide minimum inlet pressure at the maximum flow rate (BTU/hr). Undue pressure loss will occur if the pipe is too small, or the run is too long.
- B. The minimum clearance from the fireplace opening to combustible materials on the side walls and ceiling must be maintained as outlined in MINIMUM CLEARANCE TO COMBUSTIBLES WALL AND CEILINGS.
- C. At least 10"-12" of noncombustible or heat resistance material is required above the fireplace. A fireplace hood will be required to act as a heat deflector in protecting combustible fireplace surrounds (facing and / or mantel) if certain minimum clearance cannot be met. Be certain that combustible flooring material (i.e.: carpet, tile, etc.) is not too close to this gas appliance. If the appliance is at floor level or less than 6" above the floor, there must be at least 12" of noncombustible material between the base of the fireplace and any combustible flooring.

## TROUBLESHOOTING

**Complaint:** Burner is excessively noisy.

**Please note:** The movement, mixing of air and gas, and combustion will create a low, throaty sound, which is normal.

**Excessive gas pressure:** Make sure the gas pressure coming into the fireplace does not exceed the minimum or maximum pressures allowed with this burner. (See page 3)

**Passage of air/gas across irregular surfaces:** There may be burrs or other blockage on burner ports. Check these ports and remove any blockage.

**Gas connector:** Relieve any tight bends or kinks in the flex connector. Switch to a smooth aluminum connector, which can be purchased at a hardware or home improvement store.

**Complaint:** Odor

**Most likely causes:** Lack of fresh air and/or impurities in the room's air. Since the appliance is drawing its combustion air from the living room area, any odors or impurities present in the room will be recycled through the flame and recirculate back into the room. Such impurities include: Pet hair, fresh paint or varnish, paint remover, cigarette smoke, potpourri and incense, glues, new carpet or tiles, dust build up, and residue from previous wood burning left in the room firebox, and the flue among other things.

**Fix:** Add fresh air. Remove surface of impurities.

**Complaint:** Excessive smoking and sooting.

**Cause:** Poor draft or down draft and check if damper is closed. Flue is less than 8" in diameter.

**Solutions:** Open damper fully when operating the Pan Burner. If flue is too small remove the burner and adequate fireplace venting.

## LIMITED LIFETIME CONSUMER PRODUCT WARRANTY

The following warranty has been drafted to comply with the MAGNUSON-MOSS WARRANTY ACT applicable to products manufactured after July 4, 1975. It replaces and supersedes any warranty in this package or in any printed literature.

### LIMITED WARRANTY:

DIAMOND FIREGLASS warrants this Gas Pan Burner and accessories against defects in materials and workmanship, and suitable for a particular purpose, for a period of:

- (1) TEMPERED GLASS - All glass are guaranteed against burnout in the original installation for the lifetime of the initial purchaser.
- (2) BURNERS - 2 years from date of purchase.

**THIS WARRANTY IS FOR THE BENEFIT OF THE ORIGINAL PURCHASER.**

### WARRANTY ADJUSTMENT:

- (1) DIAMOND FIREGLASS agrees to repair or furnish a replacement for, but not remove or install any product or component which proves defective within the above warranty and appropriate time periods stated.
- (2) BUYER shall notify DIAMOND FIREGLASS of any defect within this warranty no later than thirty (30) days after a defect is discovered.
- (3) No product will be accepted for return or replacement without written authorization of DIAMOND FIREGLASS. Before returning merchandise, write to DIAMOND FIREGLASS giving full details of the complaint and a copy of sales receipt or other evidence of purchase date. Merchandise returned without proof of purchase date will be serviced out of warranty at our prevailing service and parts rates. If merchandise was damaged in transit, file claim immediately with the carrier. Products returned must be addressed as follows:

DIAMOND FIREGLASS  
216 Ave. Fabricante #205  
San Clemente, CA 92672

Shipping charges must be pre-paid by the buyer.

**REPAIR OR REPLACEMENT UNDER THIS WARRANTY WILL BE SHIPPED FREIGHT COLLECT.**

### EXCLUSIONS FROM WARRANTY:

- (1) The foregoing warranty is limited solely as set forth herein and applies only for the periods designated above.
  - (2) DIAMOND FIREGLASS shall not be liable for any loss, damage, incidental or consequential damages of any kind, whether based upon warranty, contract, or negligence, arising in connection with the sale, use, or repair of the product. Some states do not allow the exclusion or limitation of incidental or consequential damages, so the above limitation or exclusion may not apply to you.
  - (3) The maximum liability of DIAMOND FIREGLASS in connection with this limited warranty shall not in any case exceed the contract price paid for the product claimed to be defective or unsuitable.
  - (4) This warranty does not extend to any product manufactured by DIAMOND FIREGLASS which has been subjected to misuse, neglect, accident, improper installation, or use in violation of instructions furnished by DIAMOND FIREGLASS.
  - (5) This warranty does not extend to or apply to any unit which has been repaired or altered at any place other than DIAMOND FIREGLASS factory, or by persons not expressly approved by DIAMOND FIREGLASS.
  - (6) Components manufactured by any supplier other than DIAMOND FIREGLASS shall bear only that warranty made by the manufacturer of that product.
  - (7) Freight damage and color changes occur from causes beyond manufacturer's control and are not covered by any warranty.
- THIS WARRANTY GIVES YOU SPECIFIC LEGAL RIGHTS, AND YOU MAY ALSO HAVE OTHER RIGHTS WHICH VARY FROM STATE TO STATE. DIAMOND FIREGLASS shall be held harmless from any and all claims by the buyer as a result of injury or damage to an ultimate user or other person caused by the product sold herein by the seller to the buyer, whether the injury or damage results from the assembly, installation, operation, shipment, storage or manufacture of this product. DIAMOND FIREGLASS makes no warranties, expressed or implied, other than those expressly stated herein.

### - CUSTOMER RESPONSIBILITY -

Your Gas Pan Burner is designed to burn with a natural smoky yellow flame that produces carbon soot. Like a wood fire, burning a Gas Pan Burner with the flue blocked or closed will cause fumes and smoke to remain in the room and cause health hazards. **DAMPER MUST BE FULLY OPEN WHEN BURNING A GAS PAN BURNER.** Never burn wood on top of your gas Pan Burner as this will reduce the life of your gas Pan Burner and will void any warranty.



# DIAMOND FIREGLASS

## LP - Air Mixer

The Air Mixer is to be drilled out to match the BTU output of the valve that is being used (see list below). The air mixer is designed to allow air to enter the gas stream. The added air will reduce the amount of soot produced by propane (LP) gas. **Caution:** The main burner orifices should be drilled out to no less than 1/8" if they are not already. This will prevent any back pressure to the air mixer. If back pressure is still present and gas is coming out the air mixer orifice size may need to be adjusted.

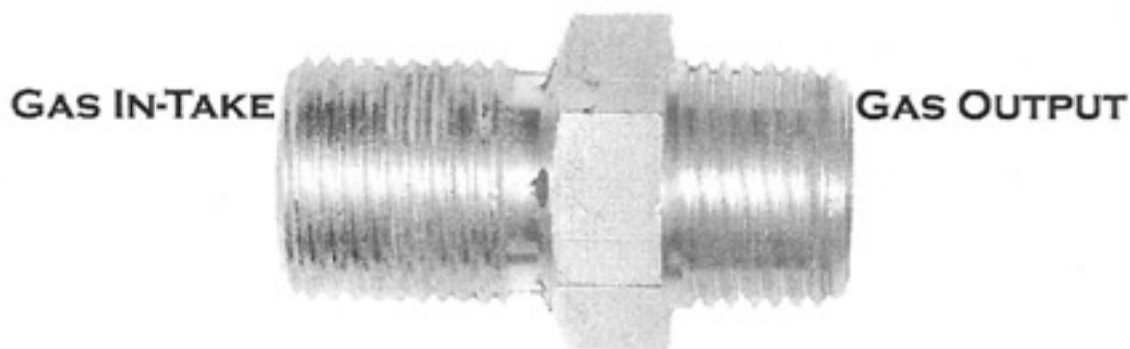
### Gas orifice capacity LP gas 11" WC.

90,000btu Drill No. 33 Size .1130  
150,000btu Drill No. 26 Size .1470  
270,000btu Drill No. 9 Size .1960  
300,000btu Drill No. 4 Size .2090

GAS IN-TAKE (DOWN VIEW)



AIR IN-TAKE



AIR MIXER (SIDE VIEW)